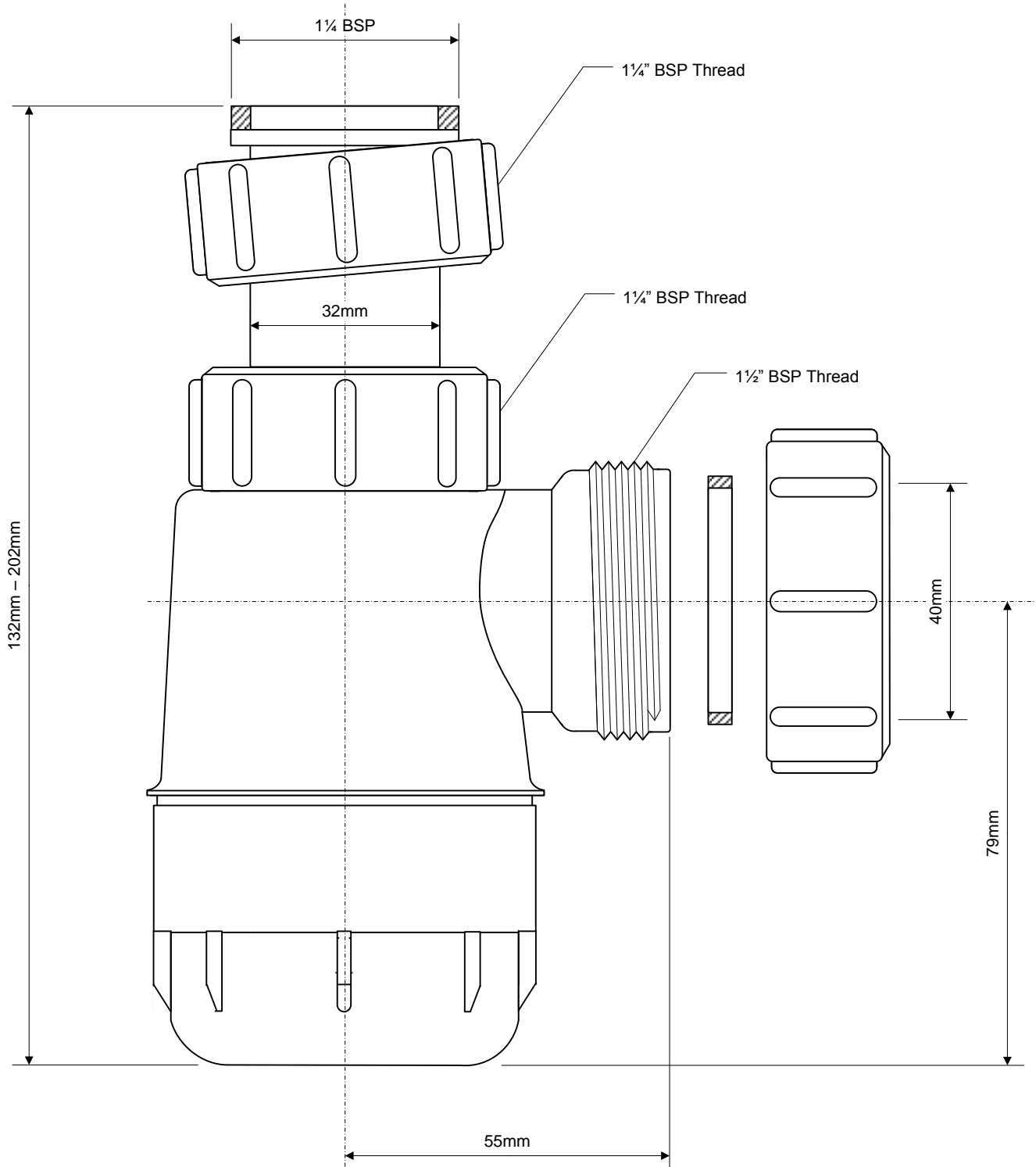


Code:

ALG-MRW240NW



©

McALPINE

Drawing verified  
correct as of:

18.01.17  
TC

DRAWN BY

TC

REVISED

SCALE

1:1

FILENAME

ALG-MRW240NW.VSD

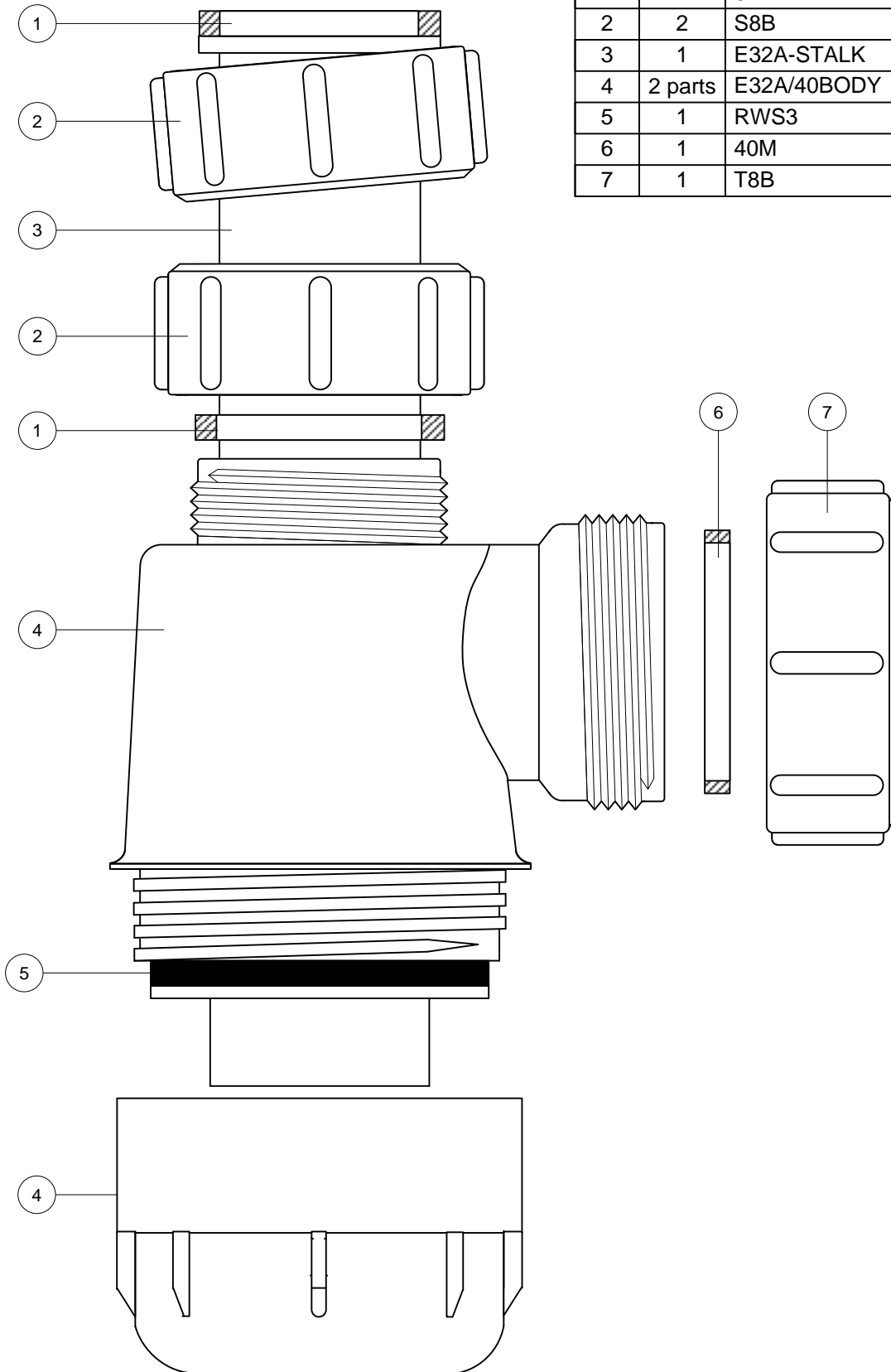
DATE

18.01.17

**Code:**

**ALG-MRW240NW**

No.	Qty	Code	Material
1	2	32M	EPDM
2	2	S8B	Polypropylene
3	1	E32A-STALK	Polypropylene
4	2 parts	E32A/40BODY	Polypropylene
5	1	RWS3	EPDM
6	1	40M	EPDM
7	1	T8B	Polypropylene



©

McALPINE

Drawing verified  
correct as of:

18.01.17  
TC

DRAWN BY

TC

REVISED

SCALE

1:1

FILENAME

ALG-MRW240NW.VSD

DATE

18.01.17