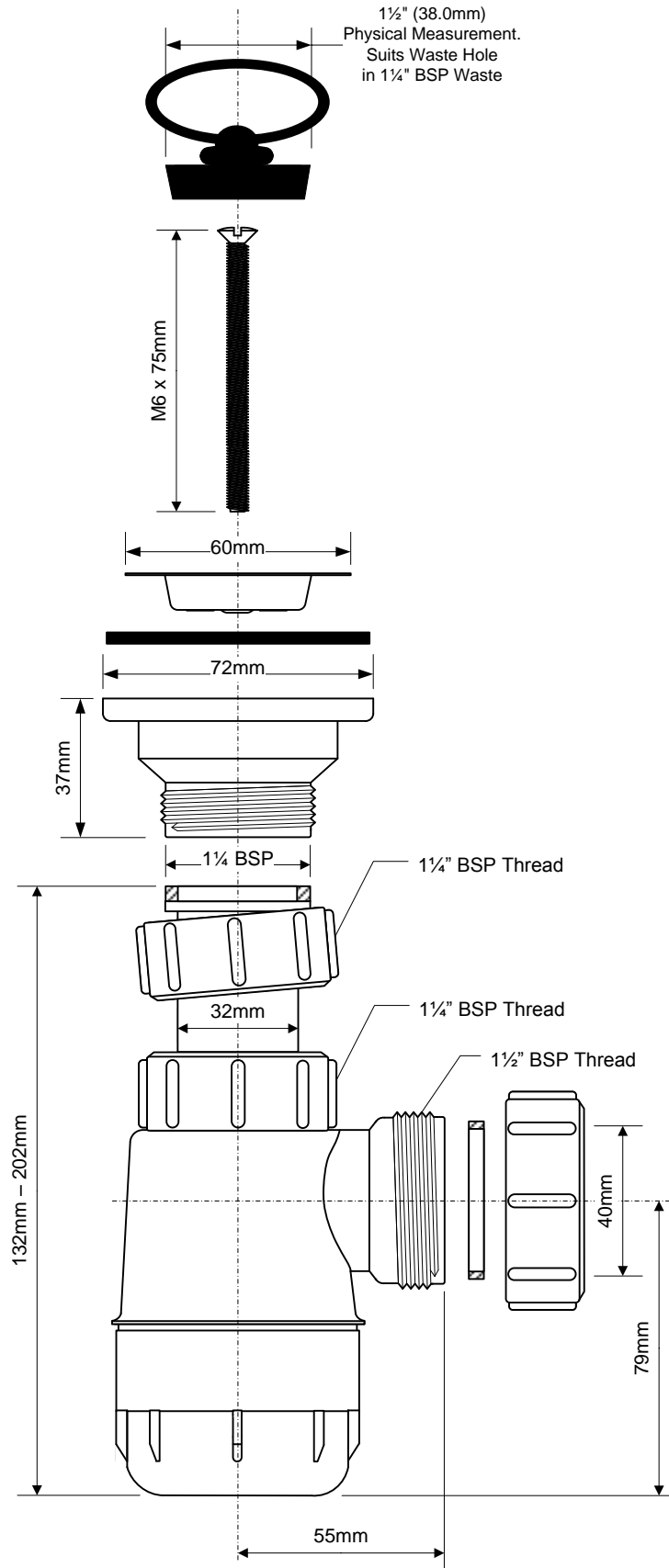


Code:

ALG-MRW240W



©
McALPINE

Drawing verified
correct as of:

03.05.17
TC

DRAWN BY

TC

REVISED

SCALE

1: 1.85

FILENAME

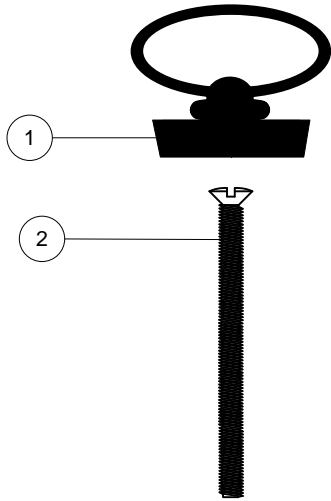
ALG-MRW240W.VSD

DATE

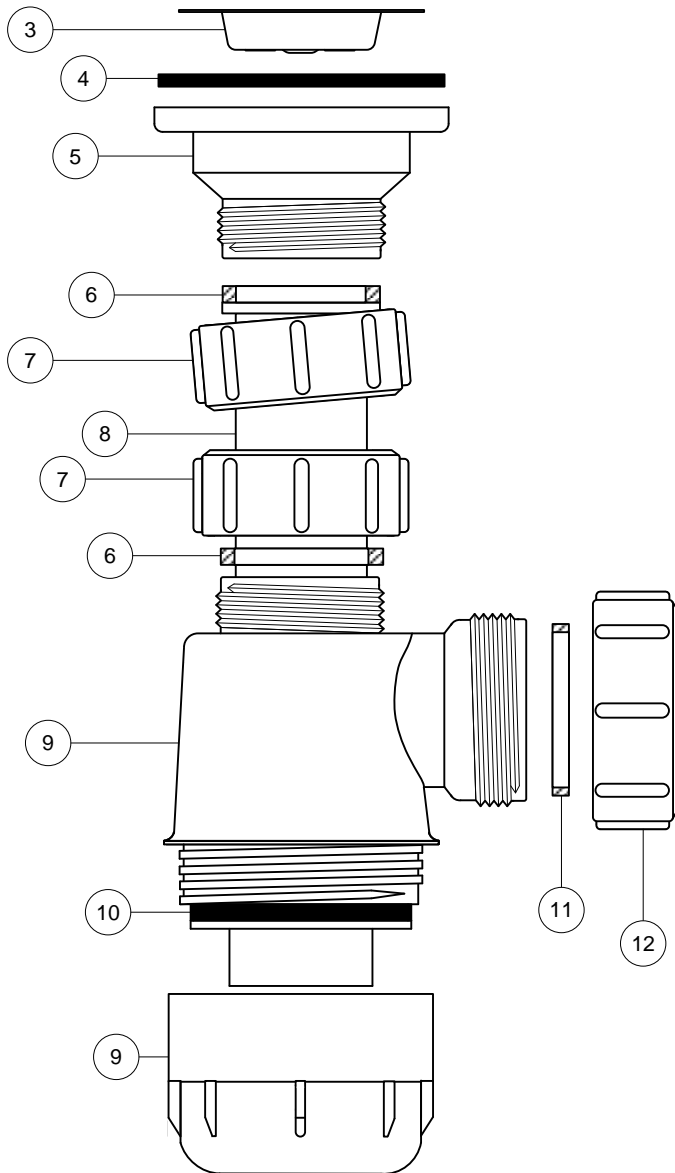
03.05.17

Code:

ALG-MRW240W



No.	Qty	Code	Material
1	1	BP3H	PVC
2	1	P-CPIN-75MM	Stainless Steel
3	1	P-F-60P-BA	Stainless Steel
4	1	RWW6	Ensoft 65A
5	1	216026	Polypropylene
6	2	32M	EPDM
7	2	S8B	Polypropylene
8	1	E32A-STALK	Polypropylene
9	2 parts	E32A/40BODY	Polypropylene
10	1	RWS3	EPDM
11	1	40M	EPDM
12	1	T8B	Polypropylene



©
McALPINE

Drawing verified
correct as of:

03.05.17
TC

DRAWN BY

TC

REVISED

SCALE

1: 1.85

FILENAME

ALG-MRW240W.VSD

DATE

03.05.17